

PARTS  
LIST

# CARINA

**Junior**

AG20MAA06  
May. 11, 2021

**PLEASE NOTE:**

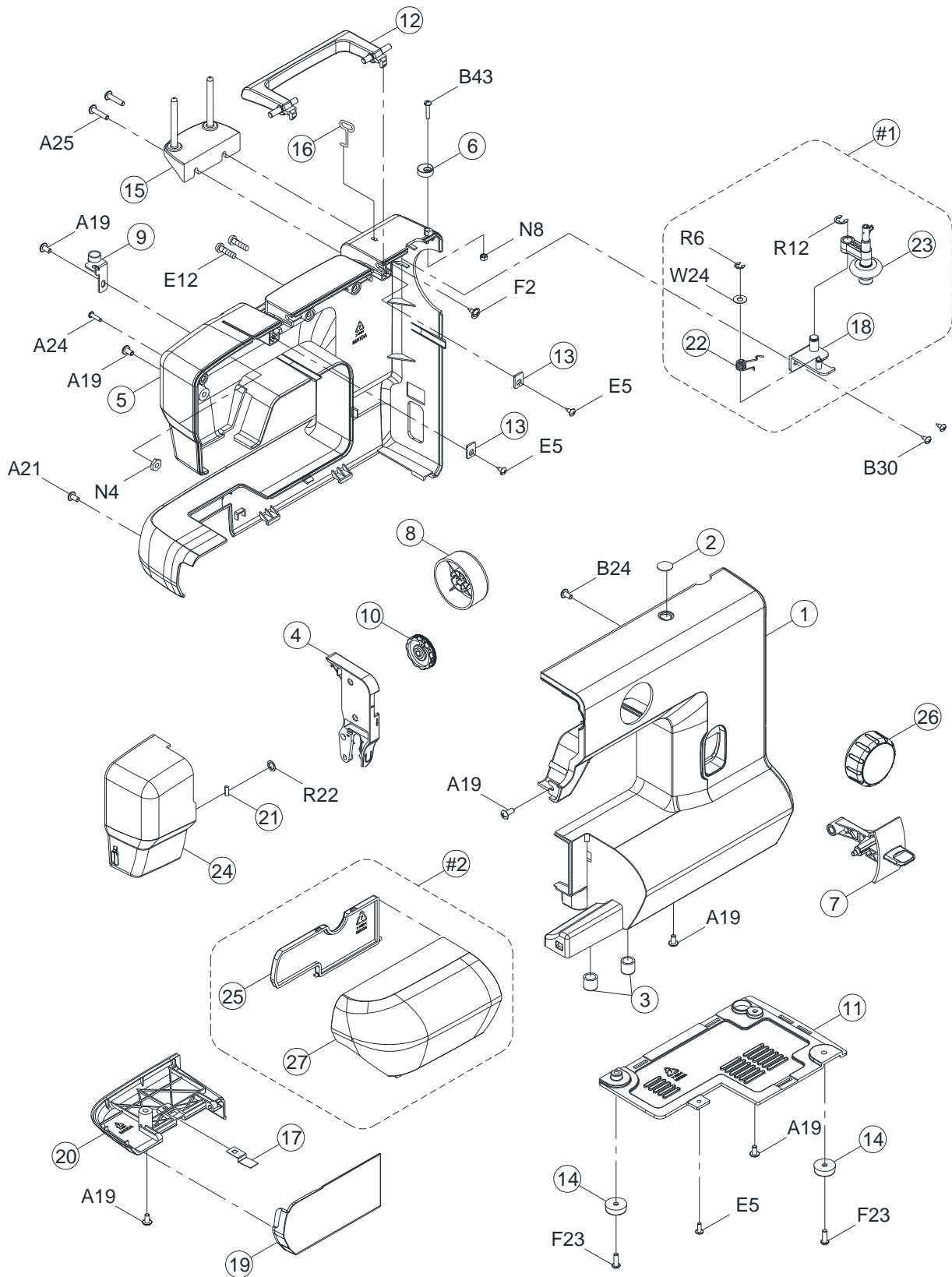
The parts mentioned without number in the parts list are not available.

Take care the parts for the model and the voltage application & spec. you need.

~ LIST OF CONTENTS ~

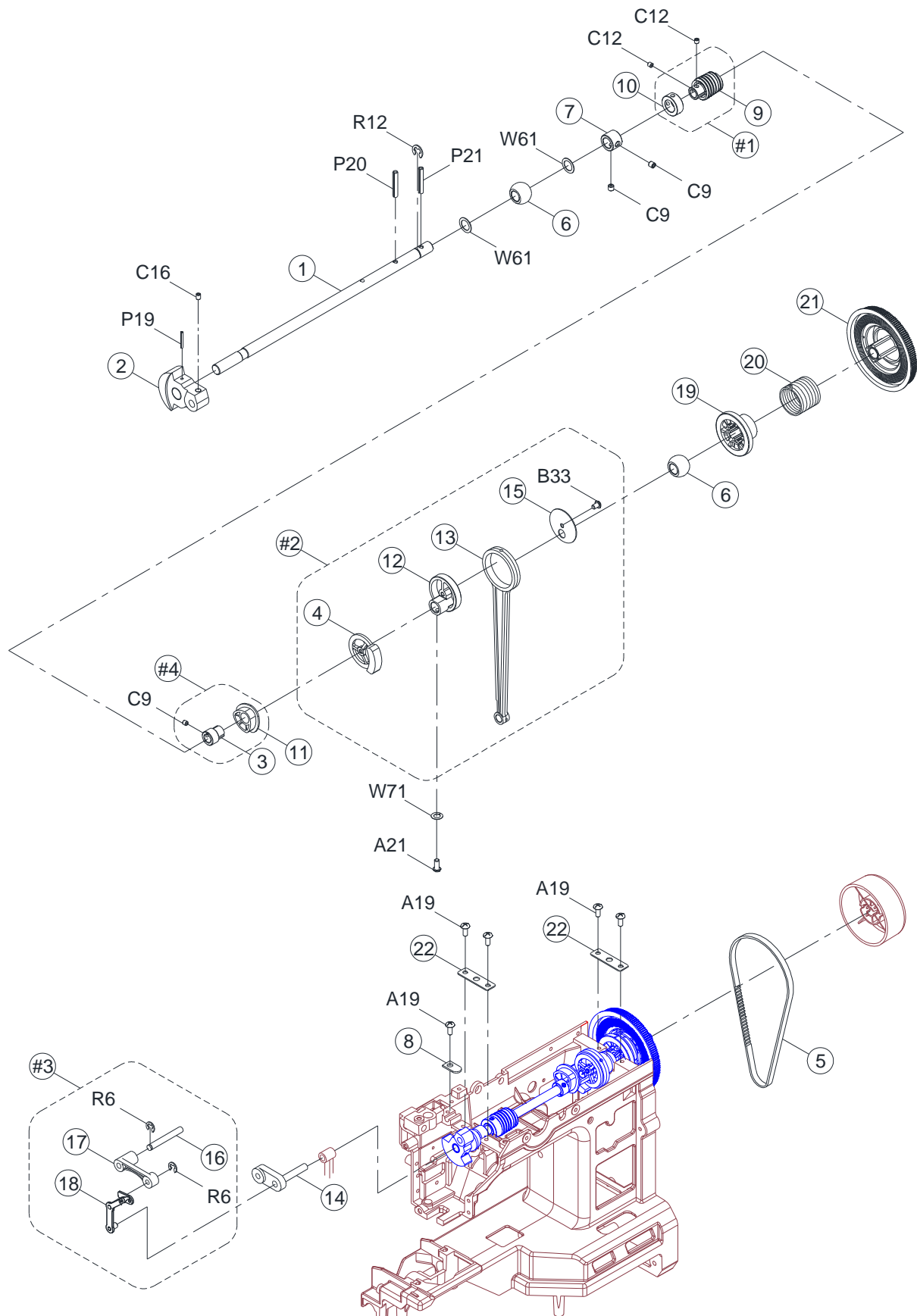
- A. PRINCIPAL COVER COMPONENTS
  - B. UPPER SHAFT COMPONENTS
  - C. PATTERN SELECTION COMPONENTS
  - D. PRESSER MECHANISM
  - E. ZIGZAG MECHANISM
  - F. FEED MECHANISM
  - G. HOOK & LOWER SHAFT COMPONENTS
  - H. MOTOR, POWER SUPPLY & ELECTRONIC PARTS
  - I. ACCESSORIES (STANDARD)
- GENERAL REFERENCE CHART

# A. PRINCIPAL COVER COMPONENTS



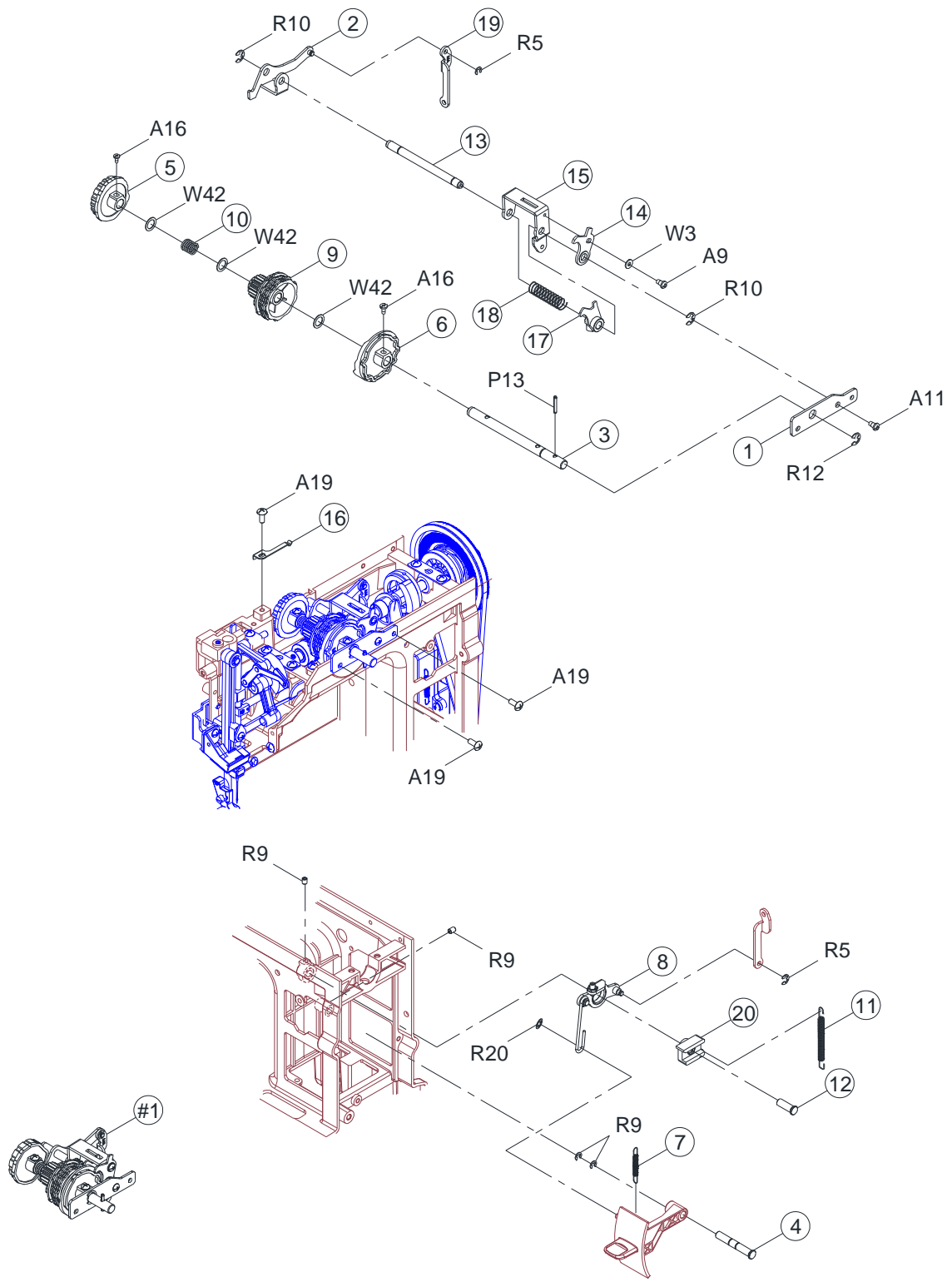


# B. UPPER SHAFT COMPONENTS





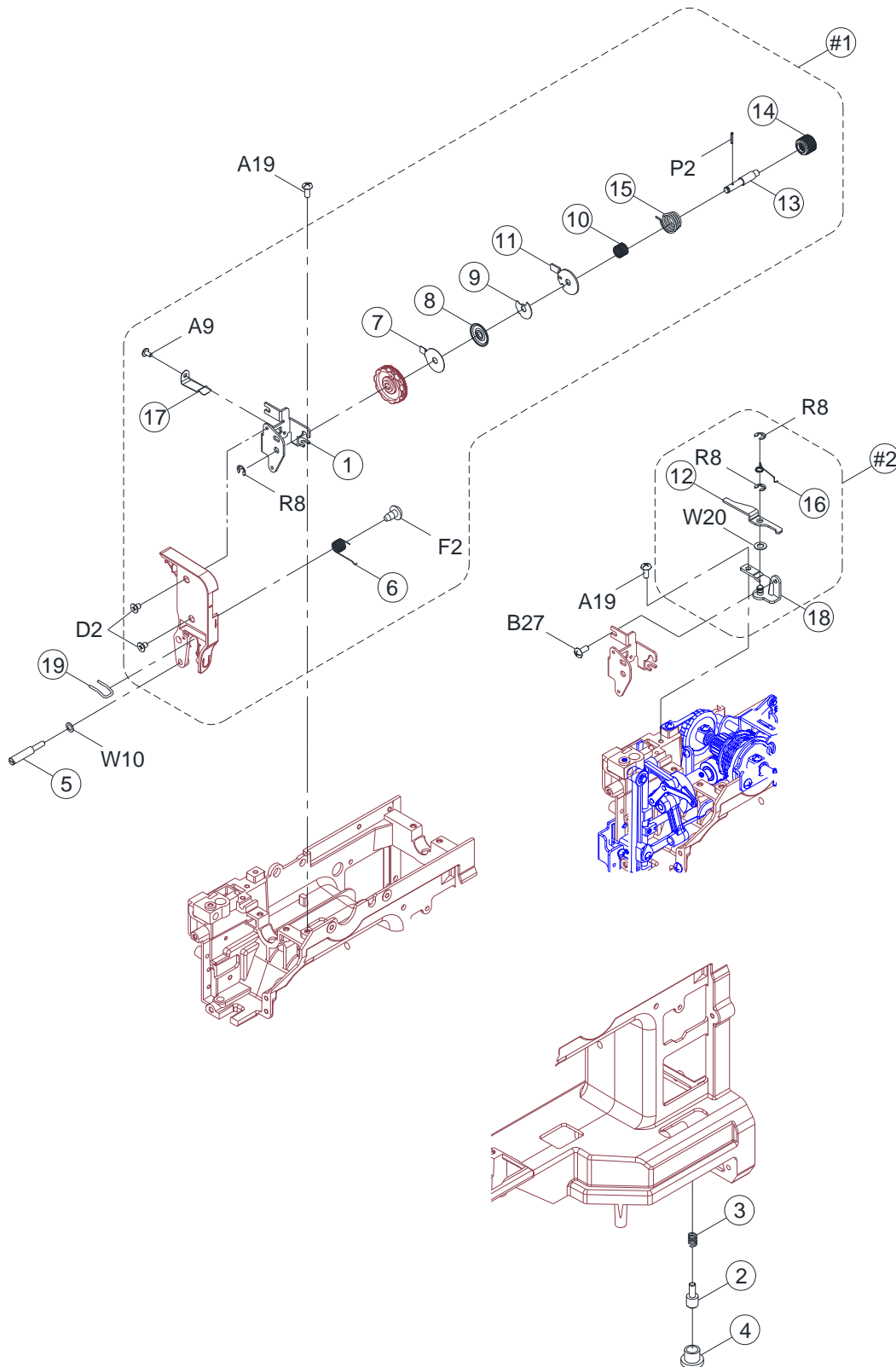
# C. PATTERN SELECTION COMPONENTS





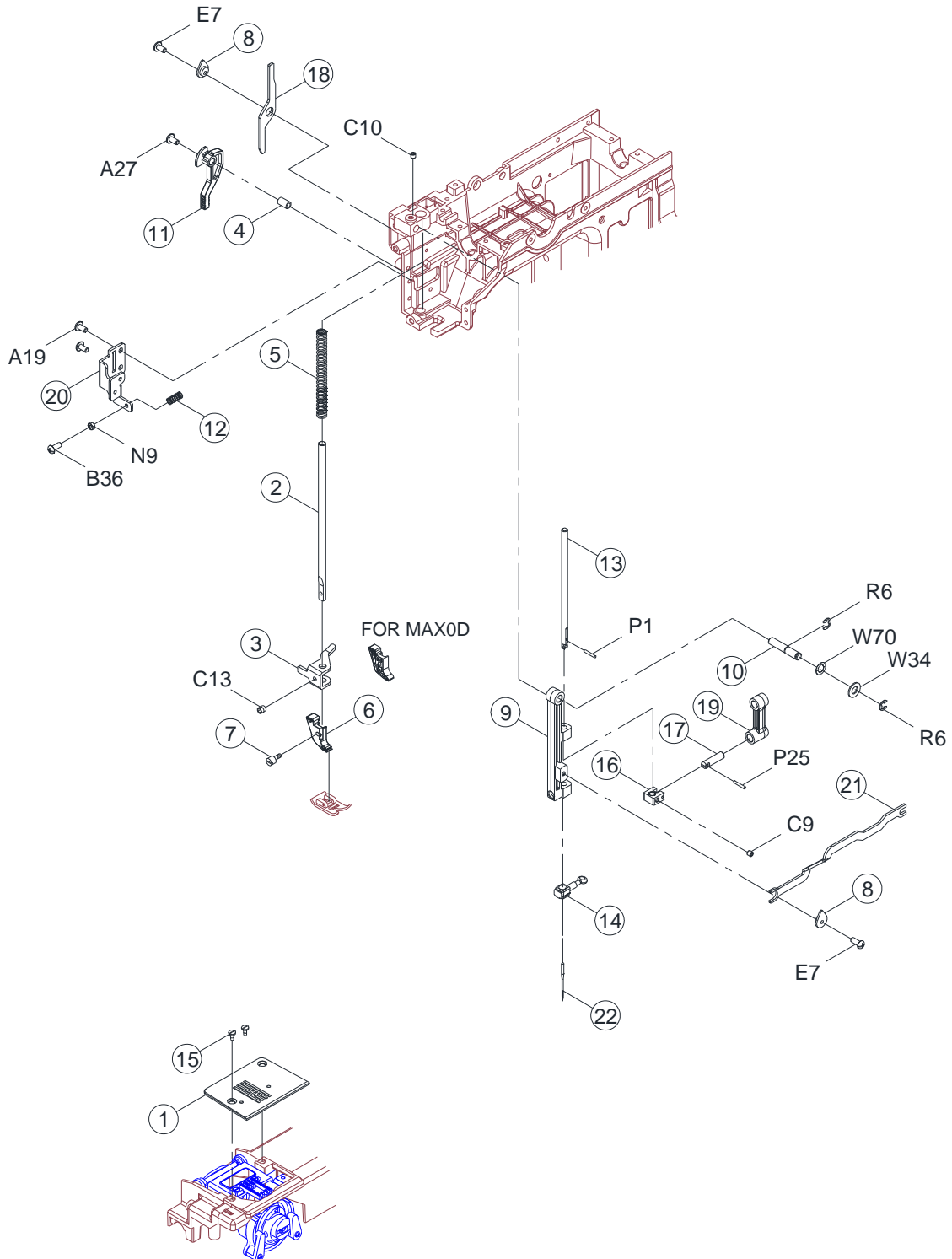


# D. PRESSER MECHANISM



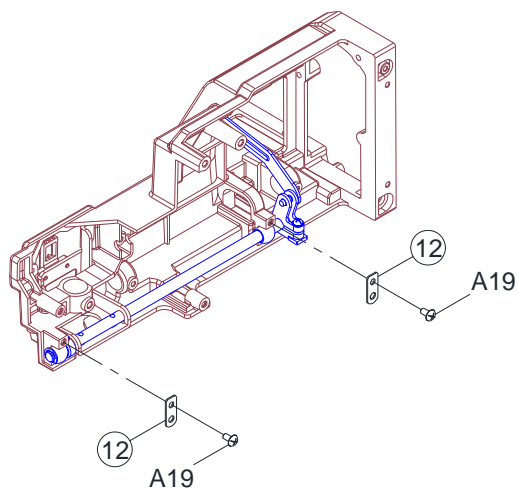
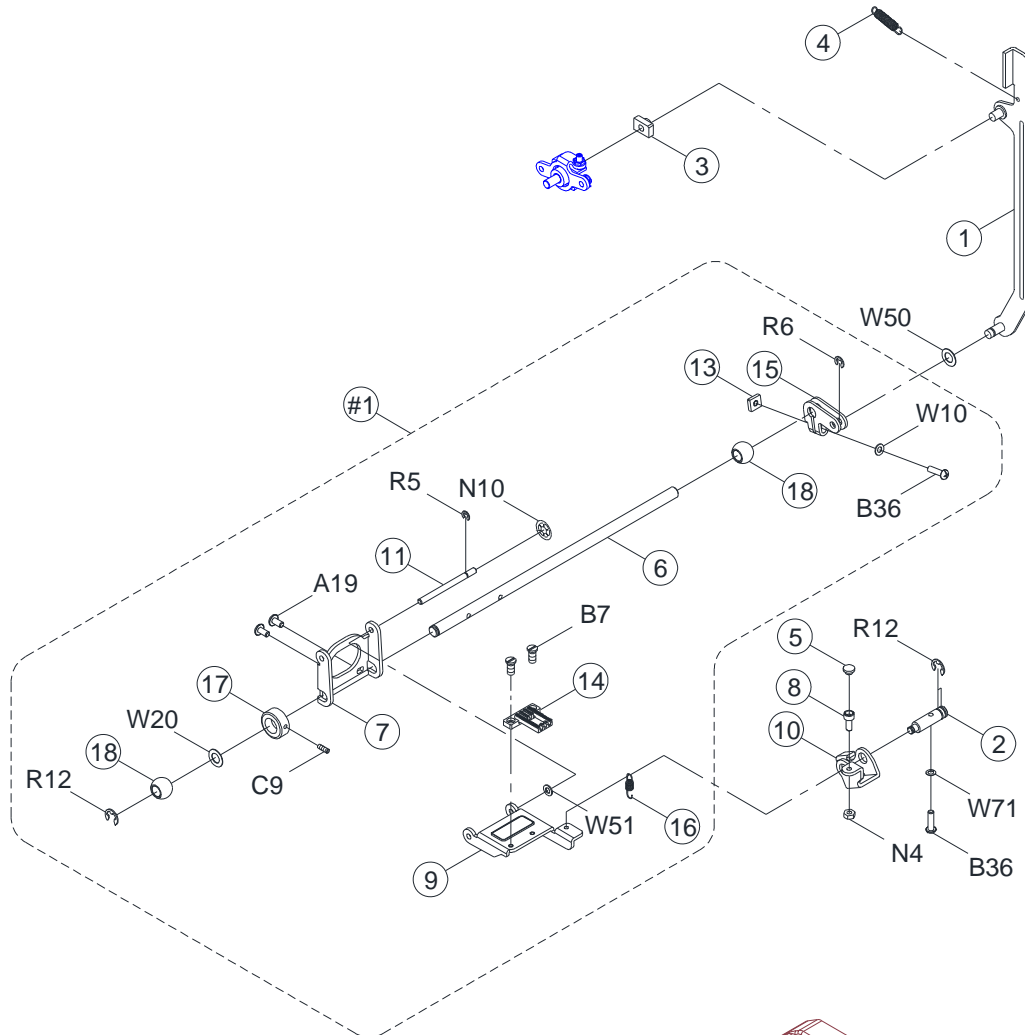


# E. ZIGZAG MECHANISM



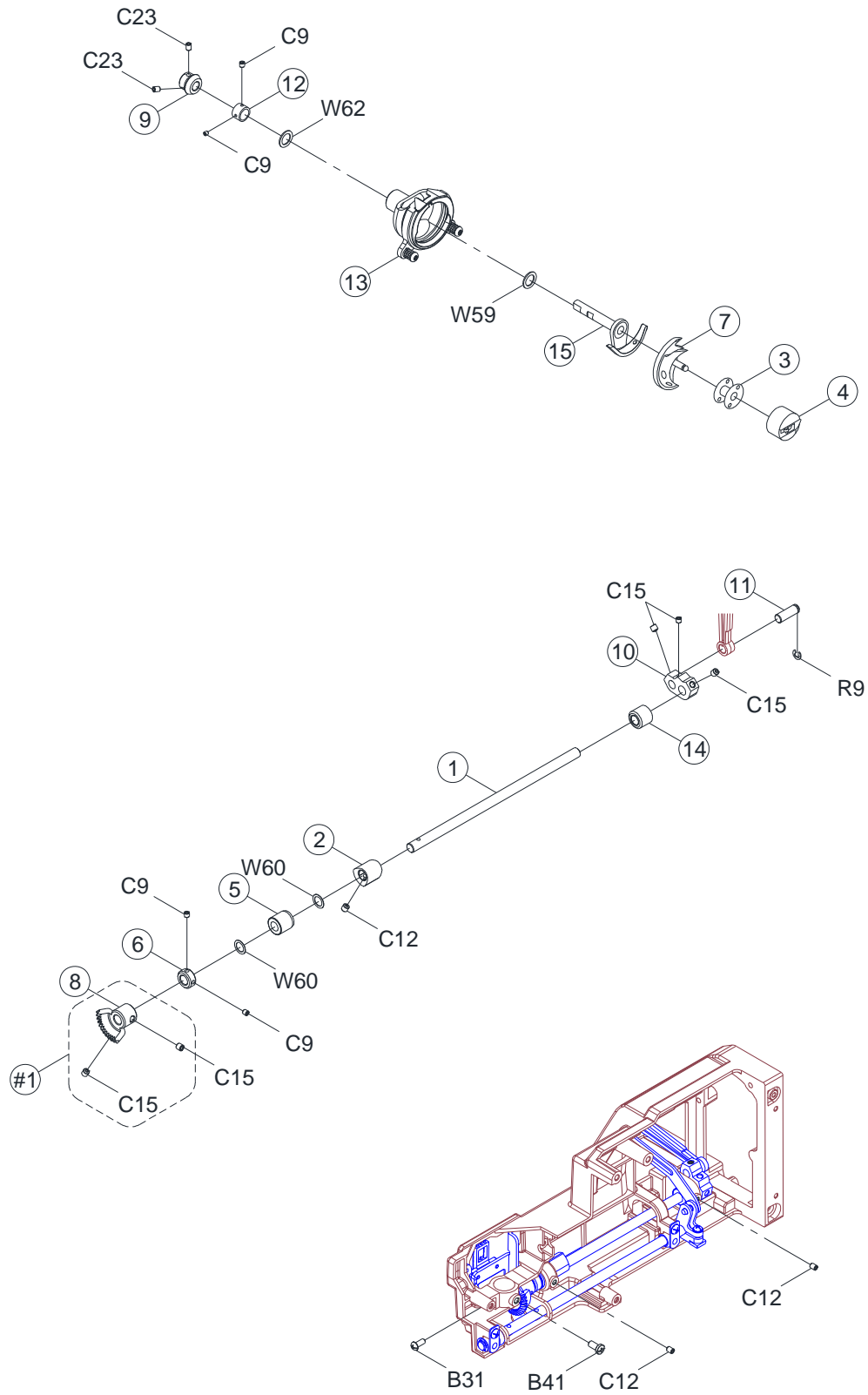


# F. FEED MECHANISM





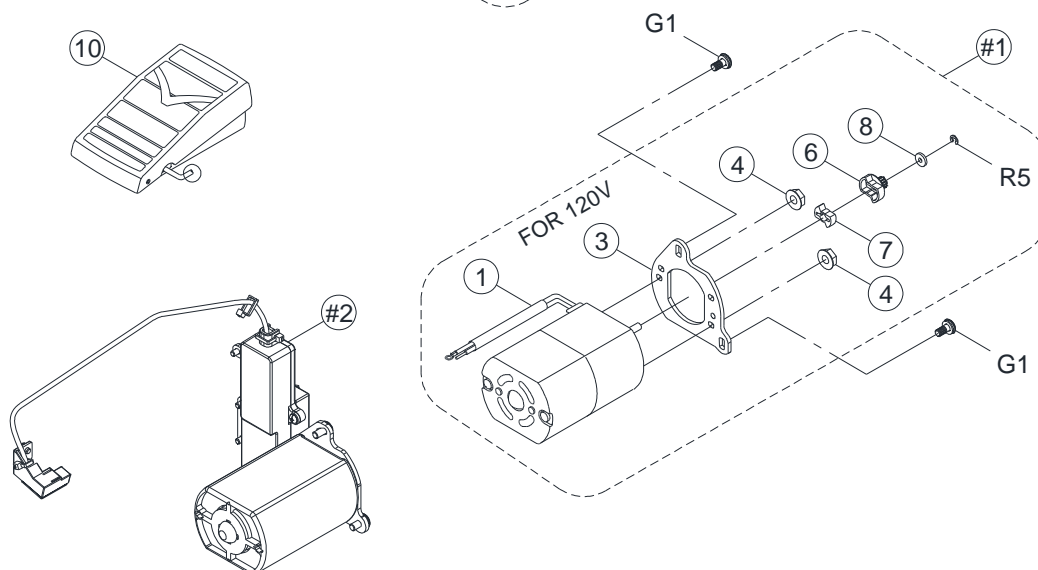
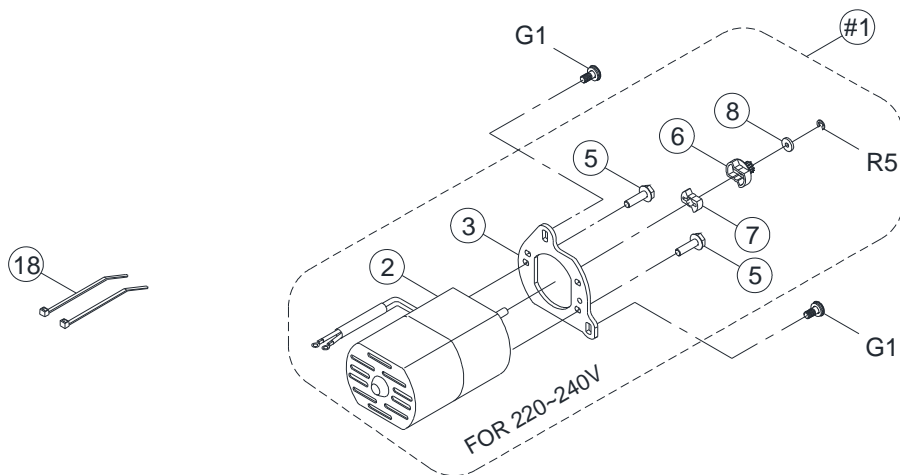
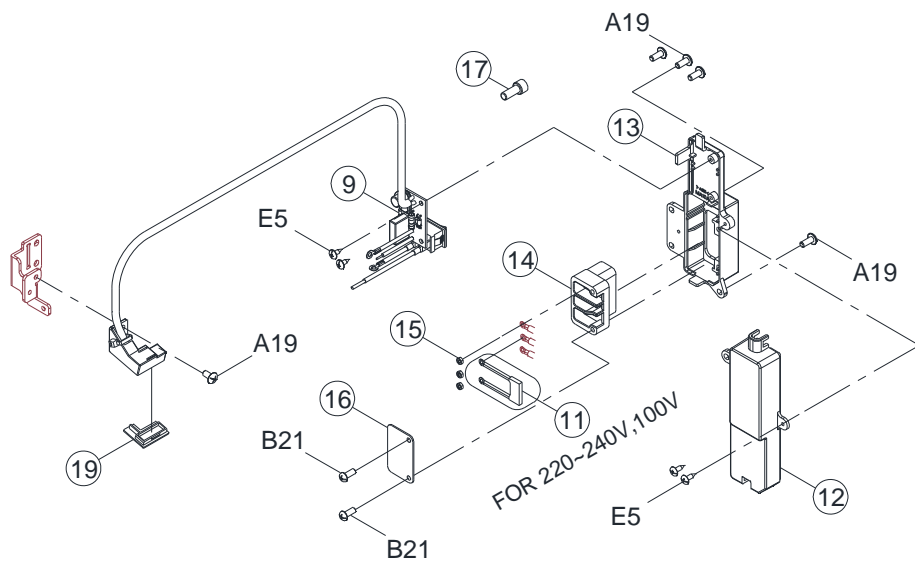
# G. HOOK & LOWER SHAFT COMPONENTS





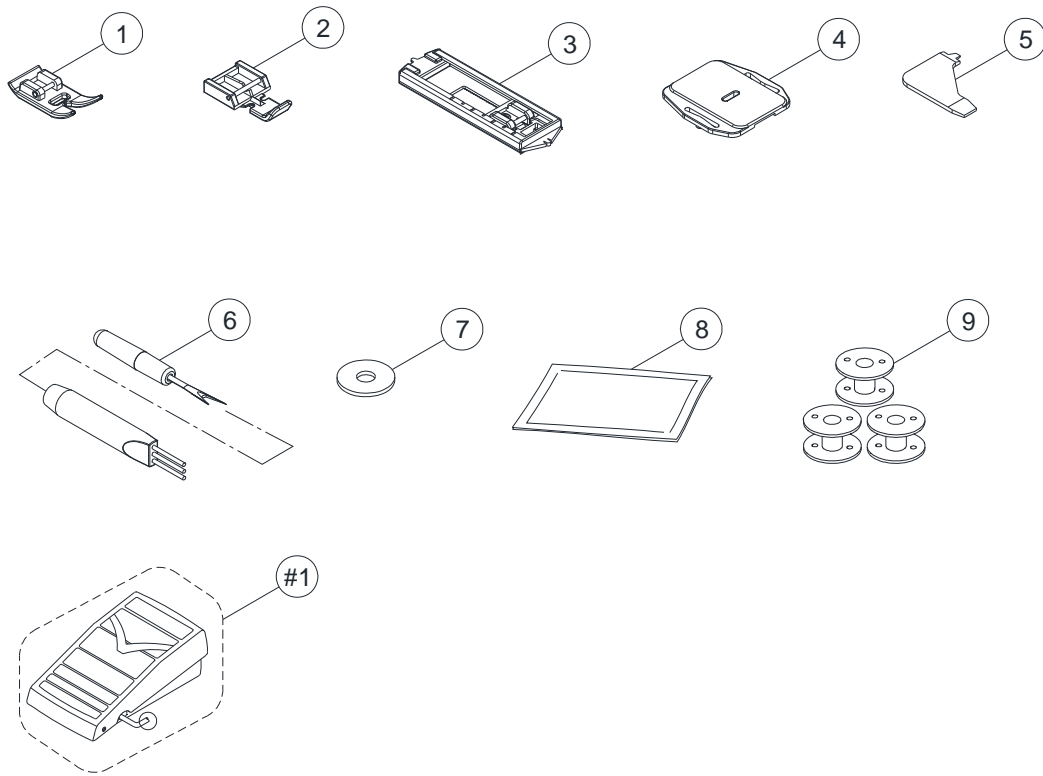


# H. MOTOR, POWER SUPPLY & ELECTRONIC PARTS







# I. ACCESSORIES (STANDARD)











# GENERAL REFERENCE CHART 1


NO.	PART NO.	DESCRIPTION	NO.	PART NO.	DESCRIPTION
<b>A</b>	<b>PAN HEAD SCREWS (L)</b>				
			B13	004230286	M3*0.5*L8
A1	0042200046	M2*0.4*L3.5	B14	004230336	M3*0.5*L10
A2	004225106	M2.5*0.45*L3	B15	004230316	M3*0.5*L10
A3	004225068	M2.5*0.45*L3	B16	0042300056	M3*0.5*L12
A4	0042300508	M3*0.5*L3.5	B17	004230326	M3*0.5*L12
A5	0042300066	M3*0.5*L4	B18	0042300076	M3*0.5*L12
A6	0042300062	M3*0.5*L4	B19	0042300706	M3*0.5*L12.7
A7	004230706	M3*0.5*L5	B20	004230646	M3*0.5*L16.7
A8	004230702	M3*0.5*L5	B21	0042300326	M3*0.5*L22
A9	004230016	M3*0.5*L6	B22	004230296	M3*0.5*L22
A10	004230012	M3*0.5*L6	B23	004230356	M3*0.5*L25
A11	004230211	M3*0.5*L8	B24	004230656	M3*1.06*L16
A12	0042300126	M3*0.5*L8	B25	0042400012	M4*0.7*L4
A13	0042300122	M3*0.5*L8	B26	004240676	M4*0.7*L5
A14	004230606	M3*0.5*L10	B27	004240056	M4*0.7*L6
A15	004230556	M3*0.5*L18	B28	004240016	M4*0.7*L8
A16	004235016	M3.5*0.6*L8	B29	004240066	M4*0.7*L8
A17	004241036	M4*0.7*L6	B30	004240306	M4*0.7*L10
A18	0042401102	M4*0.7*L6	B31	004240046	M4*0.7*L10
A19	004240106	M4*0.7*L8	B32	004240526	M4*0.7*L12
A20	004240102	M4*0.7*L8	B33	004240136	M4*0.7*L12
A21	004241046	M4*0.7*L10	B34	004240286	M4*0.7*L13
A22	004240782	M4*0.7*L11.5	B35	004240186	M4*0.7*L15
A23	004241061	M4*0.7*L12	B36	004240146	M4*0.7*L15
A24	004241056	M4*0.7*L12	B37	004240746	M4*0.7*L18
A25	004240896	M4*0.7*L15	B38	004240086	M4*0.7*L20
A26	004240751	M4*0.7*L15	B39	0042415208	M4*0.7*L22
A27	004240466	M4*0.7*L15	B40	004240376	M4*0.7*L25
A28	0042401002	M4*0.7*L15	B41	004250158	M5*0.8*L10
A29	004241386	M4*0.7*L20	B42	004250146	M5*0.8*L12
A30	004241102	M4*0.7*L25	B43	004106162	SM9/64-40*L16
A31	004106202	SM9/64-40*L7	B44	004106371	SM9/64-40*L18
			B45	004106378	SM9/64-40*L18
			B46	004107063	SM11/64-40*L12
<b>B</b>	<b>PAN HEAD SCREWS (S)</b>		<b>C SET SCREWS</b>		
					
B1	004216022	M1.6*0.35*L3	C1	004230433	M3*0.5*L3
B2	0042200302	M2*0.4*L2.5	C2	004230203	M3*0.5*L4
B3	004220046	M2*0.4*L4	C3	004230483	M3*0.5*L4
B4	004220112	M2*0.4*L7.5	C4	004230573	M3*0.5*L6
B5	0042200102	M2*0.63*L6	C5	004230443	M3*0.5*L15
B6	004225096	M2.5*0.45*L5	C6	004240633	M4*0.7*L12
B7	004230056	M3*0.5*L5	C7	0042415603	M4*0.7*L16
B8	004230052	M3*0.5*L5	C8	0042415403	M4*0.7*L16
B9	004230086	M3*0.5*L6	C9	004240503	M4*0.7*L4
B10	004230082	M3*0.5*L6	C10	004240033	M4*0.7*L5
B11	004230872	M3*0.5*L8			

## GENERAL REFERENCE CHART 2

NO.	PART NO.	DESCRIPTION	NO.	PART NO.	DESCRIPTION
C11	0042415103	M4*0.7*L6	<b>F</b>		<b>WASHER HEAD SCREWS</b> 
C12	004240223	M4*0.7*L6			
C13	004240943	M4*0.7*L8	F1	004231016	M3*0.5*L5
C14	004241093	M4*0.7*L9	F2	0042300016	M3*0.5*L5
C15	004250203	M5*0.8*L5	F3	004230816	M3*0.5*L6
C16	004250193	M5*0.8*L6	F4	004230786	M3*0.5*L7
C17	004250363	M5*0.8*L8	F5	004230796	M3*0.5*L8
C18	0042500473	M5*0.8*L8	F6	0042300116	M3*0.5*L10
C19	004260023	M6*1.0*L5	F7	004230746	M3*0.5*L12
C20	0042600103	M6*1.0*L6	F8	004230776	M3*0.5*L12
C21	004111043	SM1/4-40*L3.3	F9	004240586	M4*0.7*L8
C22	004106053	SM9/64-40*L11	F10	0042400286	M4*0.7*L10
C23	004107293	SM11/64-40*L4	F11	004240826	M4*0.7*L12
C24	004241233	M4*0.7*L12	F12	004240546	M4*0.7*L12
			F13	004240545	M4*0.7*L12
			F14	004240806	M4*0.7*L16
			F15	0042500016	M5*0.8*L10
			F16	004240582	M4*0.7*L8
<b>D</b>	<b>FLAT HEAD SCREWS</b>		F17	0042400802	M4*0.7*L12
D1	004220203	M2*0.4*L4	F18	0042414602	M4*0.7*L25
D2	004230146	M3*0.5*L6	F19	0042414508	M4*0.7*L11
D3	004230666	M3*0.5*L6	F20	004250426	M5*0.8*L10
D4	004240176	M4*0.7*L6	F21	0042500456	M5*0.8*L15
D5	004103043	SM3/32-56*L3.7	F22	0042500102	M5*0.8*L15
			F23	0042401486	M4*0.7*L15
<b>E</b>	<b>TRUSS HEAD SCREWS</b>		<b>G</b>	<b>SEMS SCREWS</b>	
E1	004220056	M2*0.4*L2.5	G1	0042500096	M5*0.8*L12
E2	0042200016	M2*0.4*L3	G2	0042504708	M5*0.8*L12
E3	0042200026	M2*0.4*L3.5			
E4	0042300026	M3*0.5*L6			
E5	004230216	M3*0.5*L8.5			
E6	004230605	M3*0.5*L10	<b>H</b>	<b>CHEESE HEAD SCREWS</b>	
E7	004230536	M3*0.5*L10	H1	004230846	M3*0.5*L8
E8	004230066	M3*0.5*L12	H2	004230842	M3*0.5*L8
E9	004230596	M3*0.5*L16			
E10	004240516	M4*0.7*L6			
E11	004240166	M4*0.7*L8			
E12	004240626	M4*0.7*L10			
E13	004240396	M4*0.7*L10	<b>J</b>	<b>OTHER SCREWS</b>	
E14	004240541	M4*0.7*L20	J1	004111033	SM1/4-40*L4
E15	004250346	M5*0.8*L10	J2	0042800106	M8*1.25*L16
E16	004250086	M5*0.8*L12	J3	0042415308	M4*0.7*L6.5
E17	004260056	M6*1.0*L10			



# GENERAL REFERENCE CHART 4

NO.	PART NO.	DESCRIPTION	NO.	PART NO.	DESCRIPTION
<b>W WASHER</b> 			W51	004400180	φ5.7*φ10.5*0.5
			W52	0044000200	φ6.2*φ9.6*0.25
W1	0043001306	φ2.2*φ6*0.5	W53	004400840	φ6.2*φ9.6*0.5
W2	004301068	φ3.2*φ6*0.5	W54	0044000020	φ6.2*φ12*0.25
W3	004300676	φ3.2*φ8*0.8	W55	004400260	φ6.2*φ14*0.13
W4	004300976	φ3.2*φ10.5*0.5	W56	004400190	φ6.2*φ14*0.5
W5	0043003102	φ3.6*φ8*1	W57	004400230	φ6.7*φ11.8*0.25
W6	004300096	φ4*φ8*0.5	W58	004400570	φ6.7*φ11.8*0.5
W7	0043000016	φ4*φ10*0.4	W59	004400800	φ7.6*φ12*0.13
W8	004301078	φ4.1*φ8*0.5	W60	004400410	φ8.2*φ12*0.25
W9	004300926	φ4.1*φ8*1	W61	004400830	φ8.2*φ12*0.5
W10	004300136	φ4.2*φ8*0.8	W62	004400210	φ8.2*φ16*0.5
W11	004301146	φ4.2*φ8*1	W63	004400080	φ10.2*φ15*0.5
W12	004300076	φ4.2*φ9*0.5	W64	0044000300	φ12.2*φ18*0.5
W13	0043420016	φ4.2*φ10*0.3	W65	0045520010	φ5.3*φ9.5*1*0.15
W14	004300986	φ4.2*φ10*0.5	W66	004500360	φ5.4*φ9*1.5*0.3
W15	0043000503	φ4.5*φ10*0.6	W67	004500670	φ6.4*φ11*1*0.15
W16	004300202	φ4.5*φ10*0.8	W68	004500600	φ6.5*φ10.5*1.5*0.15
W17	0043000208	φ5.1*φ9.5*0.4	W69	004500500	φ10.5*φ14.5*2*0.3
W18	0043002503	φ5.2*φ8.5*0.8	W70	004900063	φ6.2*φ12*2.0*0.15
W19	004300713	φ5.2*φ10*0.2	W71	004600026	φ4.2*φ7.2*1.2
W20	004300643	φ5.2*φ10*0.5	W72	004600296	φ5.1*φ9.2*1.3
W21	004300733	φ5.2*φ12*1	W73	0046000106	φ8.2*φ15.4*2
W22	004300586	φ5.2*φ16*1.0			
W23	0043000603	φ5.3*φ10*0.6			
W24	004300306	φ5.4*φ10*0.9			
W25	0043000803	φ5.5*φ12*0.8			
W26	004300633	φ6.2*φ10.5*1			
W27	004300233	φ6.2*φ11*0.5			
W28	004300186	φ6.2*φ12*0.5			
W29	0043000703	φ6.2*φ12*1.6			
W30	004300493	φ6.2*φ14*3			
W31	004300156	φ6.4*φ13*1			
W32	0043001403	φ6.4*φ17*0.8			
W33	004300946	φ6.5*φ11*0.4			
W34	004300043	φ6.5*φ13*1			
W35	004300813	φ6.6*φ14*1			
W36	004300333	φ6.7*φ12*0.5			
W37	004300123	φ6.7*φ12*1			
W38	004300113	φ6.7*φ14*0.8			
W39	0043002908	φ7.2*φ12*0.4			
W40	004300843	φ7.2*φ12*1.0			
W41	004300823	φ8.1*φ16*0.2			
W42	004300936	φ8.2*φ12*0.5			
W43	004300863	φ8.2*φ14*0.5			
W44	004300226	φ8.2*φ16*1.0			
W45	0043001106	φ8.5*φ16*1.6			
W46	004300853	φ10.2*φ15*0.5			
W47	0043002703	φ10.2*φ20*1.0			
W48	0041000100	φ14*φ8.1*0.25			
W49	0044000400	φ3.18*φ5.5*0.5			
W50	004400450	φ5.5*φ12*0.25			